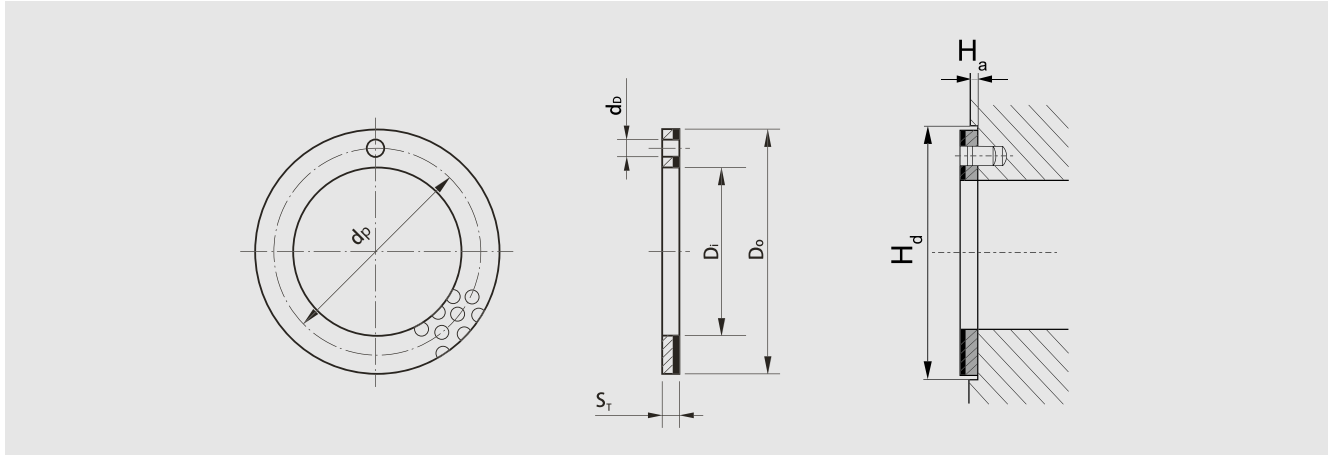


# TCB20 Series Normal Metric Washer



Designation	I.D. $\text{ØD}_i$	O.D. $\text{ØD}_o$	Wall Thickness $S_T$	Middle diameter $\text{ØD}_p$	Pilot hole $\text{Ød}_b$	Assembling house $\text{ØH}_d$	Recess Depth $H_a$	
TCB20 □ W08	10 $\begin{smallmatrix} +0.25 \\ 0 \end{smallmatrix}$	20 $\begin{smallmatrix} 0 \\ -0.25 \end{smallmatrix}$	1.5 $\begin{smallmatrix} 0 \\ -0.05 \end{smallmatrix}$	15±0.12	1.5 $\begin{smallmatrix} +0.375 \\ -0.125 \end{smallmatrix}$	20 $\begin{smallmatrix} +0.12 \\ 0 \end{smallmatrix}$	1.0 $\begin{smallmatrix} +0.20 \\ -0.05 \end{smallmatrix}$	
TCB20 □ W10	12 $\begin{smallmatrix} +0.25 \\ 0 \end{smallmatrix}$	24 $\begin{smallmatrix} 0 \\ -0.25 \end{smallmatrix}$		18±0.12		2 $\begin{smallmatrix} +0.375 \\ -0.125 \end{smallmatrix}$		24 $\begin{smallmatrix} +0.12 \\ 0 \end{smallmatrix}$
TCB20 □ W12	14 $\begin{smallmatrix} +0.25 \\ 0 \end{smallmatrix}$	26 $\begin{smallmatrix} 0 \\ -0.25 \end{smallmatrix}$		20±0.12				3 $\begin{smallmatrix} +0.375 \\ -0.125 \end{smallmatrix}$
TCB20 □ W14	16 $\begin{smallmatrix} +0.25 \\ 0 \end{smallmatrix}$	30 $\begin{smallmatrix} 0 \\ -0.25 \end{smallmatrix}$		22±0.12	30 $\begin{smallmatrix} +0.12 \\ 0 \end{smallmatrix}$			
TCB20 □ W16	18 $\begin{smallmatrix} +0.25 \\ 0 \end{smallmatrix}$	32 $\begin{smallmatrix} 0 \\ -0.25 \end{smallmatrix}$		25±0.12	32 $\begin{smallmatrix} +0.12 \\ 0 \end{smallmatrix}$			
TCB20 □ W18	20 $\begin{smallmatrix} +0.25 \\ 0 \end{smallmatrix}$	36 $\begin{smallmatrix} 0 \\ -0.25 \end{smallmatrix}$		28±0.12	4 $\begin{smallmatrix} +0.375 \\ -0.125 \end{smallmatrix}$	36 $\begin{smallmatrix} +0.12 \\ 0 \end{smallmatrix}$		
TCB20 □ W20	22 $\begin{smallmatrix} +0.25 \\ 0 \end{smallmatrix}$	38 $\begin{smallmatrix} 0 \\ -0.25 \end{smallmatrix}$		30±0.12		38 $\begin{smallmatrix} +0.12 \\ 0 \end{smallmatrix}$		
TCB20 □ W22	24 $\begin{smallmatrix} +0.25 \\ 0 \end{smallmatrix}$	42 $\begin{smallmatrix} 0 \\ -0.25 \end{smallmatrix}$		33±0.12		42 $\begin{smallmatrix} +0.12 \\ 0 \end{smallmatrix}$		
TCB20 □ W24	26 $\begin{smallmatrix} +0.25 \\ 0 \end{smallmatrix}$	44 $\begin{smallmatrix} 0 \\ -0.25 \end{smallmatrix}$		35±0.12	2 $\begin{smallmatrix} 0 \\ -0.05 \end{smallmatrix}$	44 $\begin{smallmatrix} +0.12 \\ 0 \end{smallmatrix}$		1.5 $\begin{smallmatrix} +0.20 \\ -0.05 \end{smallmatrix}$
TCB20 □ W25	28 $\begin{smallmatrix} +0.25 \\ 0 \end{smallmatrix}$	48 $\begin{smallmatrix} 0 \\ -0.25 \end{smallmatrix}$		38±0.12		48 $\begin{smallmatrix} +0.12 \\ 0 \end{smallmatrix}$		
TCB20 □ W30	32 $\begin{smallmatrix} +0.25 \\ 0 \end{smallmatrix}$	54 $\begin{smallmatrix} 0 \\ -0.25 \end{smallmatrix}$		43±0.12		54 $\begin{smallmatrix} +0.12 \\ 0 \end{smallmatrix}$		
TCB20 □ W35	38 $\begin{smallmatrix} +0.25 \\ 0 \end{smallmatrix}$	62 $\begin{smallmatrix} 0 \\ -0.25 \end{smallmatrix}$		50±0.12		62 $\begin{smallmatrix} +0.12 \\ 0 \end{smallmatrix}$		
TCB20 □ W40	42 $\begin{smallmatrix} +0.25 \\ 0 \end{smallmatrix}$	66 $\begin{smallmatrix} 0 \\ -0.25 \end{smallmatrix}$	54±0.12	66 $\begin{smallmatrix} +0.12 \\ 0 \end{smallmatrix}$				
TCB20 □ W45	48 $\begin{smallmatrix} +0.25 \\ 0 \end{smallmatrix}$	74 $\begin{smallmatrix} 0 \\ -0.25 \end{smallmatrix}$	61±0.12	74 $\begin{smallmatrix} +0.12 \\ 0 \end{smallmatrix}$				
TCB20 □ W50	52 $\begin{smallmatrix} +0.25 \\ 0 \end{smallmatrix}$	78 $\begin{smallmatrix} 0 \\ -0.25 \end{smallmatrix}$	65±0.12	78 $\begin{smallmatrix} +0.12 \\ 0 \end{smallmatrix}$				
TCB20 □ W60	62 $\begin{smallmatrix} +0.25 \\ 0 \end{smallmatrix}$	90 $\begin{smallmatrix} 0 \\ -0.25 \end{smallmatrix}$	76±0.12	90 $\begin{smallmatrix} +0.12 \\ 0 \end{smallmatrix}$				

Label example

Type            Shaft diameter  
 TCB20 □ W    60