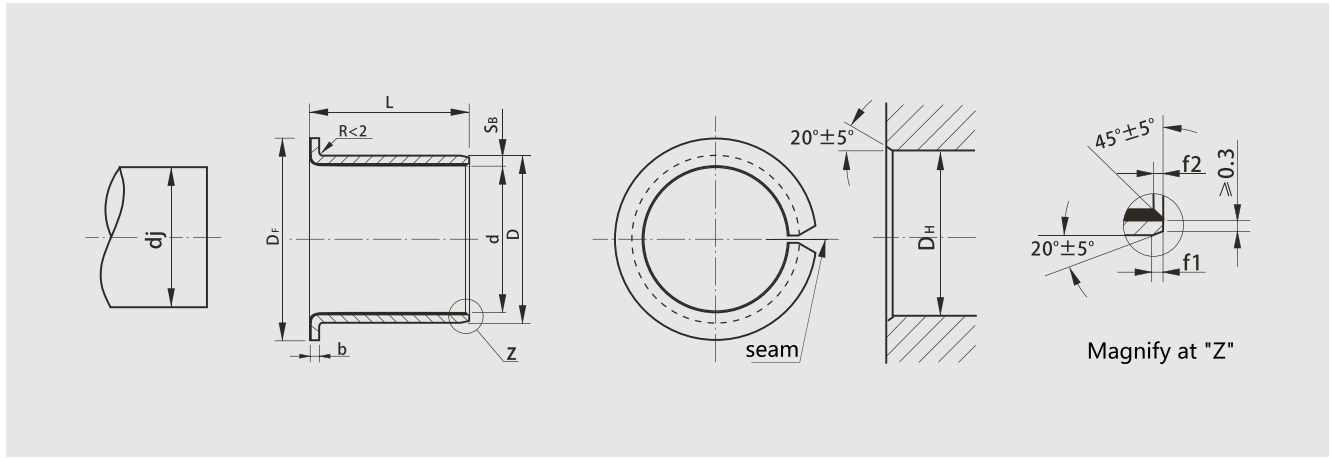


TCB10F Series Normal Metric Flange Bushing



Designation	Shaft Dia Ø dj	Housing Ø D _H	flange Ø D _F	Installed Bushing I.D Ø d	High L	O.D. Ø D	Wall Thickness S _B
TCB10 □ F 03040	3 h6 $\begin{smallmatrix} 0 \\ -0.006 \end{smallmatrix}$	4.5 H6 $\begin{smallmatrix} +0.008 \\ 0 \end{smallmatrix}$	7±0.5	3 $\begin{smallmatrix} +0.048 \\ 0 \end{smallmatrix}$	4±0.25	4.5 $\begin{smallmatrix} +0.055 \\ +0.025 \end{smallmatrix}$	0.75 $\begin{smallmatrix} 0 \\ -0.02 \end{smallmatrix}$
TCB10 □ F 04040	4 h6 $\begin{smallmatrix} 0 \\ -0.008 \end{smallmatrix}$	5.5 H6 $\begin{smallmatrix} +0.008 \\ 0 \end{smallmatrix}$	9±0.5	4 $\begin{smallmatrix} +0.048 \\ 0 \end{smallmatrix}$	4±0.25	5.5 $\begin{smallmatrix} +0.055 \\ +0.025 \end{smallmatrix}$	0.75 $\begin{smallmatrix} 0 \\ -0.02 \end{smallmatrix}$
TCB10 □ F 05050	5 h6 $\begin{smallmatrix} 0 \\ -0.008 \end{smallmatrix}$	7 H7 $\begin{smallmatrix} +0.015 \\ 0 \end{smallmatrix}$	10±0.5	5 $\begin{smallmatrix} +0.055 \\ -0.010 \end{smallmatrix}$	5±0.25	7 $\begin{smallmatrix} +0.055 \\ +0.025 \end{smallmatrix}$	1 $\begin{smallmatrix} +0.005 \\ -0.020 \end{smallmatrix}$
TCB10 □ F 06040	6 f7 $\begin{smallmatrix} -0.010 \\ -0.022 \end{smallmatrix}$	8 H7 $\begin{smallmatrix} +0.015 \\ 0 \end{smallmatrix}$	12±0.5	6 $\begin{smallmatrix} +0.055 \\ -0.010 \end{smallmatrix}$	4±0.25	8 $\begin{smallmatrix} +0.055 \\ +0.025 \end{smallmatrix}$	1 $\begin{smallmatrix} +0.005 \\ -0.020 \end{smallmatrix}$
TCB10 □ F 06070					7±0.25		
TCB10 □ F 06080					8±0.25		
TCB10 □ F 08055	8 f7 $\begin{smallmatrix} -0.013 \\ -0.028 \end{smallmatrix}$	10 H7 $\begin{smallmatrix} +0.015 \\ 0 \end{smallmatrix}$	15±0.5	8 $\begin{smallmatrix} +0.055 \\ -0.010 \end{smallmatrix}$	5.5±0.25	10 $\begin{smallmatrix} +0.055 \\ +0.025 \end{smallmatrix}$	1 $\begin{smallmatrix} +0.005 \\ -0.020 \end{smallmatrix}$
TCB10 □ F 08060					6±0.25		
TCB10 □ F 08075					7.5±0.25		
TCB10 □ F 08080					8±0.25		
TCB10 □ F 08095					9.5±0.25		
TCB10 □ F 08100					10±0.25		
TCB10 □ F 10070	10 f7 $\begin{smallmatrix} -0.013 \\ -0.028 \end{smallmatrix}$	12 H7 $\begin{smallmatrix} +0.018 \\ 0 \end{smallmatrix}$	18±0.5	10 $\begin{smallmatrix} +0.058 \\ -0.010 \end{smallmatrix}$	7±0.25	12 $\begin{smallmatrix} +0.065 \\ +0.030 \end{smallmatrix}$	1 $\begin{smallmatrix} +0.005 \\ -0.020 \end{smallmatrix}$
TCB10 □ F 10090					9±0.25		
TCB10 □ F 10120					12±0.25		
TCB10 □ F 10170					17±0.25		
TCB10 □ F 12070	12 f7 $\begin{smallmatrix} -0.016 \\ -0.028 \end{smallmatrix}$	14 H7 $\begin{smallmatrix} +0.018 \\ 0 \end{smallmatrix}$	20±0.5	12 $\begin{smallmatrix} +0.058 \\ -0.010 \end{smallmatrix}$	7±0.25	14 $\begin{smallmatrix} +0.065 \\ +0.030 \end{smallmatrix}$	1 $\begin{smallmatrix} +0.005 \\ -0.020 \end{smallmatrix}$
TCB10 □ F 12090					9±0.25		
TCB10 □ F 12120					12±0.25		
TCB10 □ F 12150					15±0.25		
TCB10 □ F 12170					17±0.25		
TCB10 □ F 14120	14 f7 $\begin{smallmatrix} -0.016 \\ -0.034 \end{smallmatrix}$	16 H7 $\begin{smallmatrix} +0.018 \\ 0 \end{smallmatrix}$	22±0.5	14 $\begin{smallmatrix} +0.058 \\ -0.010 \end{smallmatrix}$	12±0.25	16 $\begin{smallmatrix} +0.065 \\ +0.030 \end{smallmatrix}$	1 $\begin{smallmatrix} +0.005 \\ -0.020 \end{smallmatrix}$
TCB10 □ F 14170					17±0.25		
TCB10 □ F 15090	15 f7 $\begin{smallmatrix} -0.016 \\ -0.034 \end{smallmatrix}$	17 H7 $\begin{smallmatrix} +0.018 \\ 0 \end{smallmatrix}$	23±0.5	15 $\begin{smallmatrix} +0.058 \\ -0.010 \end{smallmatrix}$	9±0.25	17 $\begin{smallmatrix} +0.065 \\ +0.030 \end{smallmatrix}$	1 $\begin{smallmatrix} +0.005 \\ -0.020 \end{smallmatrix}$
TCB10 □ F 15120					12±0.25		
TCB10 □ F 15170					17±0.25		
TCB10 □ F 16120	16 f7 $\begin{smallmatrix} -0.016 \\ -0.034 \end{smallmatrix}$	18 H7 $\begin{smallmatrix} +0.018 \\ 0 \end{smallmatrix}$	24±0.5	16 $\begin{smallmatrix} +0.058 \\ -0.010 \end{smallmatrix}$	12±0.25	18 $\begin{smallmatrix} +0.065 \\ +0.030 \end{smallmatrix}$	1 $\begin{smallmatrix} +0.005 \\ -0.020 \end{smallmatrix}$
TCB10 □ F 16170					17±0.25		

TCB10F Series Normal Metric Flange Bushing

Designation	Shaft Dia $\varnothing dj$	Housing $\varnothing DH$	flange $\varnothing DF$	Installed Bushing I.D $\varnothing d$	High L	O.D. $\varnothing D$	Wall Thickness S_B
TCB10 □ F 18120	18 f7 $\begin{smallmatrix} -0.016 \\ -0.034 \end{smallmatrix}$	20 H7 $\begin{smallmatrix} +0.021 \\ 0 \end{smallmatrix}$	26±0.5	18 $\begin{smallmatrix} +0.061 \\ -0.010 \end{smallmatrix}$	12±0.25	20 $\begin{smallmatrix} +0.075 \\ +0.035 \end{smallmatrix}$	1 $\begin{smallmatrix} +0.005 \\ -0.020 \end{smallmatrix}$
TCB10 □ F 18170					17±0.25		
TCB10 □ F 18200					20±0.25		
TCB10 □ F 20115	20 f7 $\begin{smallmatrix} -0.020 \\ -0.041 \end{smallmatrix}$	23 H7 $\begin{smallmatrix} +0.021 \\ 0 \end{smallmatrix}$	30±0.5	20 $\begin{smallmatrix} +0.071 \\ -0.010 \end{smallmatrix}$	11.5±0.25	23 $\begin{smallmatrix} +0.075 \\ +0.035 \end{smallmatrix}$	1.5 $\begin{smallmatrix} +0.005 \\ -0.025 \end{smallmatrix}$
TCB10 □ F 20165					16.5±0.25		
TCB10 □ F 20215					21.5±0.25		
TCB10 □ F 25115	25 f7 $\begin{smallmatrix} -0.020 \\ -0.041 \end{smallmatrix}$	28 H7 $\begin{smallmatrix} +0.021 \\ 0 \end{smallmatrix}$	35±0.5	25 $\begin{smallmatrix} +0.071 \\ -0.010 \end{smallmatrix}$	11.5±0.25	28 $\begin{smallmatrix} +0.075 \\ +0.035 \end{smallmatrix}$	1.5 $\begin{smallmatrix} +0.005 \\ -0.025 \end{smallmatrix}$
TCB10 □ F 25165					16.5±0.25		
TCB10 □ F 25215					21.5±0.25		
TCB10 □ F 25265					26.5±0.25		
TCB10 □ F 30160	30 f7 $\begin{smallmatrix} -0.020 \\ -0.041 \end{smallmatrix}$	34 H7 $\begin{smallmatrix} +0.025 \\ 0 \end{smallmatrix}$	42±0.5	30 $\begin{smallmatrix} +0.085 \\ -0.010 \end{smallmatrix}$	16±0.25	34 $\begin{smallmatrix} +0.085 \\ +0.045 \end{smallmatrix}$	2 $\begin{smallmatrix} +0.005 \\ -0.030 \end{smallmatrix}$
TCB10 □ F 30260					26±0.25		
TCB10 □ F 35160	35 f7 $\begin{smallmatrix} -0.025 \\ -0.050 \end{smallmatrix}$	39 H7 $\begin{smallmatrix} +0.025 \\ 0 \end{smallmatrix}$	47±0.5	35 $\begin{smallmatrix} +0.085 \\ -0.010 \end{smallmatrix}$	16±0.25	39 $\begin{smallmatrix} +0.085 \\ +0.045 \end{smallmatrix}$	2 $\begin{smallmatrix} +0.005 \\ -0.030 \end{smallmatrix}$
TCB10 □ F 35260					26±0.25		
TCB10 □ F 40160	40 f7 $\begin{smallmatrix} -0.025 \\ -0.050 \end{smallmatrix}$	44 H7 $\begin{smallmatrix} +0.025 \\ 0 \end{smallmatrix}$	53±0.5	40 $\begin{smallmatrix} +0.085 \\ -0.010 \end{smallmatrix}$	16±0.25	44 $\begin{smallmatrix} +0.085 \\ +0.045 \end{smallmatrix}$	2 $\begin{smallmatrix} +0.005 \\ -0.030 \end{smallmatrix}$
TCB10 □ F 40260					26±0.25		
TCB10 □ F 45260	45 f7 $\begin{smallmatrix} -0.025 \\ -0.050 \end{smallmatrix}$	50 H7 $\begin{smallmatrix} +0.025 \\ 0 \end{smallmatrix}$	58±0.5	45 $\begin{smallmatrix} +0.105 \\ -0.010 \end{smallmatrix}$	16±0.25	50 $\begin{smallmatrix} +0.085 \\ +0.045 \end{smallmatrix}$	2.5 $\begin{smallmatrix} +0.005 \\ -0.040 \end{smallmatrix}$
TCB10 □ F 45260					26±0.25		
TCB10 □ F 50325	50 f7 $\begin{smallmatrix} -0.025 \\ -0.050 \end{smallmatrix}$	55 H7 $\begin{smallmatrix} +0.030 \\ 0 \end{smallmatrix}$	63±0.5	50 $\begin{smallmatrix} +0.110 \\ -0.010 \end{smallmatrix}$	32.5±0.25	55 $\begin{smallmatrix} +0.100 \\ +0.050 \end{smallmatrix}$	2.5 $\begin{smallmatrix} +0.005 \\ -0.040 \end{smallmatrix}$
TCB10 □ F 50425					42.5±0.25		
TCB10 □ F 55325	55 f7 $\begin{smallmatrix} -0.030 \\ -0.060 \end{smallmatrix}$	60 H7 $\begin{smallmatrix} +0.030 \\ 0 \end{smallmatrix}$	68±0.5	55 $\begin{smallmatrix} +0.110 \\ -0.010 \end{smallmatrix}$	32.5±0.25	60 $\begin{smallmatrix} +0.100 \\ +0.050 \end{smallmatrix}$	2.5 $\begin{smallmatrix} +0.005 \\ -0.040 \end{smallmatrix}$
TCB10 □ F 55425					42.5±0.25		
TCB10 □ F 60325	60 f7 $\begin{smallmatrix} -0.030 \\ -0.060 \end{smallmatrix}$	65 H7 $\begin{smallmatrix} +0.030 \\ 0 \end{smallmatrix}$	73±0.5	60 $\begin{smallmatrix} +0.110 \\ -0.010 \end{smallmatrix}$	32.5±0.25	65 $\begin{smallmatrix} +0.100 \\ +0.050 \end{smallmatrix}$	2.5 $\begin{smallmatrix} +0.005 \\ -0.040 \end{smallmatrix}$
TCB10 □ F 60425					42.5±0.25		

Label example			Wall Thickness S_B	Outside Chamfer f_1	Inner Chamfer f_2
Type	I.D.	High	0.75	0.5±0.3	0.3±0.2
TCB10 □ F	60	42.5	1.0	0.6±0.3	0.3±0.2
			1.5	0.6±0.4	0.4±0.3
			2.0	1.2±0.4	0.6±0.3
			2.5	1.8±0.6	0.6±0.4